



SOLATUBE®

SOLATUBE® BATHROOM VENTILATION KIT INSTALLATION GUIDE



IMPORTANT

PLEASE READ THESE INSTRUCTIONS FULLY BEFORE BEGINNING INSTALLATION

Please ensure that all components have arrived in perfect condition before starting the installation.

If any components are damaged in transit, the complete, unused system should be returned for replacement. We DO NOT accept return of individual system components.



SOLATUBE®

SolaLighting Limited

23 Osier Way, Olney Office Park, Olney, Buckinghamshire, MK46 5FP


Tel: 01234 241466 Fax: 01234 241766 Web: www.solatube.co.uk Email: daylight@solatube.co.uk

Registered in England, 6 Corunna Court, Corunna Road, Warwick CV34 5HQ Registration No 3938764


Parts List



Ventilation grille assembly:
 Ventilation housing
 6 x Screw backing tabs
 Ventilation screen




100mm in-line fan motor assembly:
 Single phase induction motor
 Spring operated, non-return flap to prevent backdraughts
 Mounting bracket
 CE label
 Ducting (two x 3 metre lengths)
 Soffit/fascia external exit vent included with integral timer




Pull switch: 6A 2-way ceiling switch, can also be wired as 1-way (BS EN 60669-1)

Options (not included unless specified)



Universal roof-mounted exit vent



Solatube® Electric Light Add-on Kit

CAUTION: For general ventilating use only. Do not use in kitchens. Do not use to exhaust hazardous or explosive materials and vapours.

<p>WARNING: To reduce the risk of fire, electrical shock, or injury to persons, observe the following:</p> <ol style="list-style-type: none"> 1. Use this unit only in the manner intended by the manufacturer. If you have any questions, contact the manufacturer. 2. Before installing, servicing or cleaning unit, switch power off at service panel and lock service panel to prevent power from being switched on accidentally. When the service disconnecting means cannot be locked, securely fasten a prominent warning device, such as a tag, to the service panel. 3. Installation work and electrical wiring must be done by qualified persons in accordance with all applicable codes and standards including fire-rated construction. 4. Use appropriate safety glasses, gloves, hard hats, restraints and other equipment to avoid unnecessary accidents. 5. Follow all electrical codes and building code requirements. 6. When cutting or drilling into a wall or ceiling, do not damage electrical wiring and other hidden utilities. 7. Exhaust fans must always be vented to the outdoors. 8. If this unit is to be installed over a bath or shower, the circuit must be marked as appropriate for the application and be connected to a circuit breaker or trip switch and comply to current IEE regulations. 9. Never place a switch where it can be reached from a bath or shower. 10. Do not use this fan with any solid-state speed control device. 	<p>SPECIFICATIONS: Solatube® Bathroom Ventilation Kit</p> <p>Fan motor assembly: 100 mm in-line</p> <p>Motor: Powerful, yet quiet unobtrusive single phase induction motor with backward curved centrifugal impellers for a large airflow providing a long maintenance-free life</p> <p>Supply: 220-240V – AC 50Hz</p> <p>Airflow: Extract rates of 110m³/hr / 31 litres per second</p> <p>Compliance: Designed to comply with the 2006 Building Regulations on Ventilation (F1)</p> <p>Moisture: Suitable for a wide range of applications including bathrooms, toilets, shower rooms and utility rooms (not suitable for kitchens)</p> <p>Max operating temperature: 40°C</p> <p>Fan Speed: 1400 rpm</p> <p>Maximum pressure: 120 Pa</p> <p>Flexible duct: Local Building Codes may require air duct (class 0) for certain fire-rated installations</p>
---	--

NOTE: Please read separate motor installation instructions supplied with the Solatube® Bathroom Ventilation Kit.

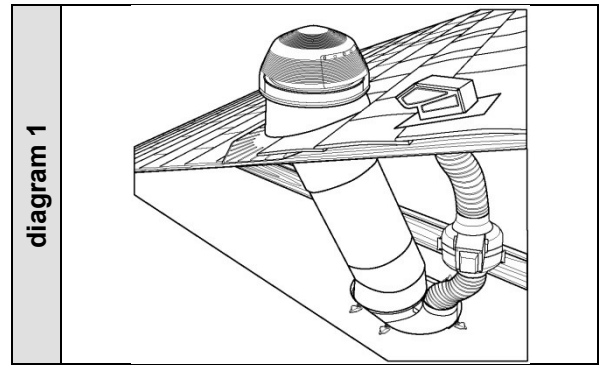
INSTRUCTIONS

These instructions are for installing the Solatube® Bathroom Ventilation Kit in conjunction with the Solatube Brighten Up® Series 160 DS Daylighting System (250 mm diameter). The Solatube® Electric Light Add-on Kit may also be installed with the Solatube® Bathroom Ventilation Kit. Please refer to the installation instructions for the Solatube® Brighten Up® Series, and, if using, the Solatube® Electric Light Add-on Kit instructions to complete your installation.

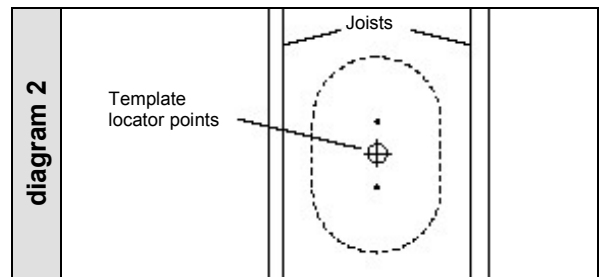
Marking the location

Step A Refer to the UK Solatube® Brighten Up Series instructions to mark ceiling and roof location of the Solatube® 160 DS Daylighting System.

Step B In the attic, look for possible horizontally placed mounting locations for the fan motor assembly. Check that wiring can be run to the planned location. There are two 3 metre lengths of ducting supplied to reach the planned location of roof, soffit or side-wall vent (**diagram 1**).
Note: This illustration is shown with the optional roof exit vent (versions of this may vary).



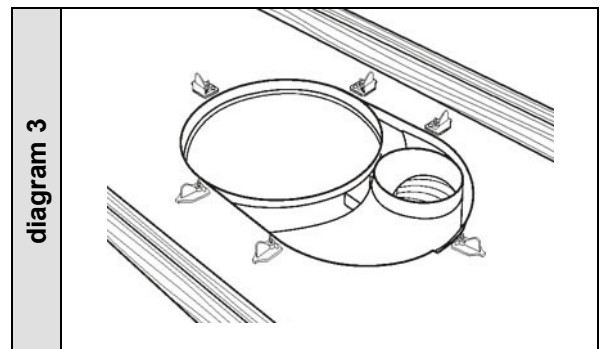
Step C Place the ventilation housing template on the ceiling surface and orient one of the locator points with the ceiling hole. Drill a 3mm hole through the ceiling at the other locator point, and repeat to establish clearance (**diagram 2**). Once the location has been established, tape the template to ceiling.



Installing the ventilation housing

Step D Cut up through the ventilation housing template along the line and remove the ceiling material. Remove the screw backing tabs from the ventilation housing. Secure the ventilation housing with six No.6 (40mm) drywall (ceiling) screws and the six screw backing tabs (**diagram 3**).

NOTE: For an air infiltration seal, apply a 5mm bead of sealant to the back of the ventilation housing prior to installation.



Installing the fan motor assembly & switch

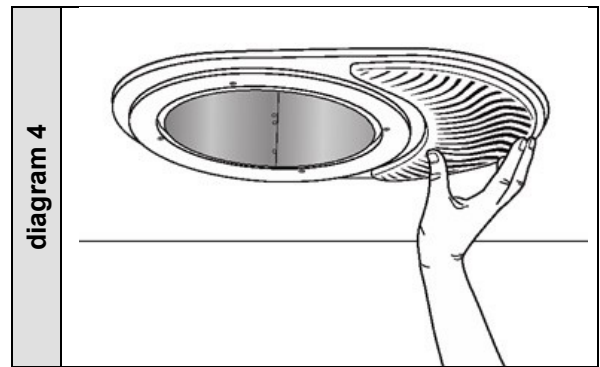
Please refer to the separate installation instructions enclosed for mounting and wiring the motor assembly and switch. Ensure the fan motor is mounted horizontally.

Duct Assembly

Step E Run the air duct from the 100mm diameter upstand spigot to the inlet of the fan motor assembly. On the exhaust side of the fan motor assembly, run the air duct to the fascia/soffit exit vent or optional roof vent (see separate installation instructions provided with optional roof vent). For best venting performance, make the air duct run as short as possible with minimum bends, cutting the duct as necessary.

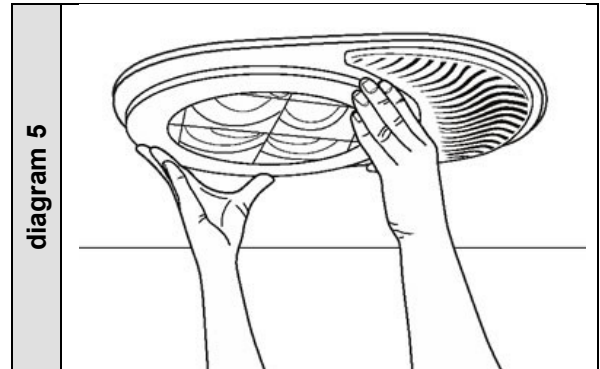
Connect the duct at each connection using duct tape to create a sealed connection.

Step H Snap the Ventilation Screen up into the Ventilation Housing (**diagram 4**).



Step I With the clear pull tab facing downwards, insert the clear lens up into the ceiling tube assembly until its gasket locates into the channel. Place the ceiling diffuser up into the ceiling ring, matching the slots, and twist to secure into place. (**diagram 5**).

You have now completed installation of your Solatube® Bathroom Ventilation Kit.



If you have any questions regarding the installation of your Solatube® Bathroom Ventilation Kit please do not hesitate to contact us on the telephone number below. We shall be delighted to help.

01234 241466

SolaLighting Limited

23 Osier Way, Olney Office Park, Olney, Buckinghamshire MK46 5FP

Tel: 01234 241466

Fax: 01234 241766

Web: www.solatube.co.uk

Email: daylight@solatube.co.uk

Registered in England, 6 Corunna Court, Corunna Road, Warwick CV34 5HQ Registration No 3938764

